

Main Features:-

- ◆ Screwed BSPP
- ◆ Series Carbon Steel Ball Valve
- ◆ Stainless Steel Ball & Stem, Polyamide Seats
- ◆ Carbon Steel Body, Buna Seals
- ◆ Temperature -20°C to 60°C

*Temperature and pressure determined by valve body, seat etc.

Suitable Applications & Approvals:

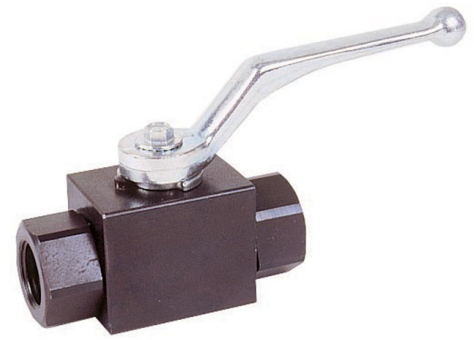


INDUSTRY

SERIES: 100073

MANUFACTURER:

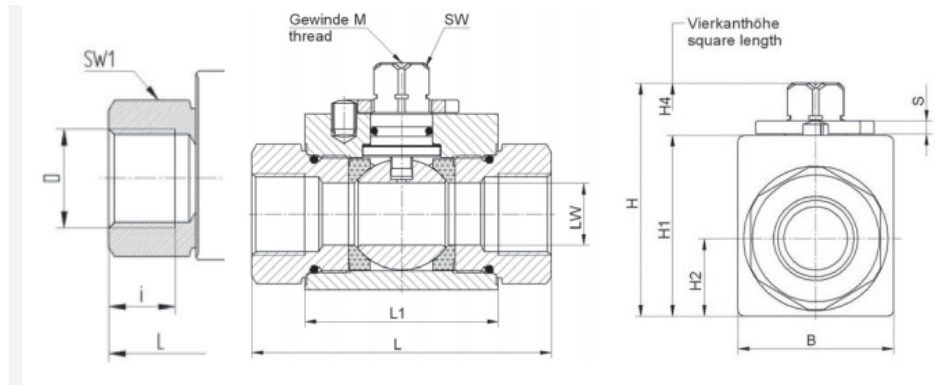
AVOL
INDUSTRIAL VALVES



Size

Pressure

1/4" to 1/2"	500 Bar
3/4"	400 Bar
1" to 1 1/2"	350 Bar
2"	420 Bar



VALVE DIMENSIONS

Size	LW	L1	B	H	H1	H2	H4	SW	M	S	SW1	i	L
1/4"	6	36.2	26	43.4	32	12.8	11	9	M5	3	22	12	69
3/8"	10	43.2	32	49.2	38	16.25	10.9	9	M5	3	27	12	73
1/2"	13	48.2	35	51.2	40	17.25	10.9	9	M5	3	30	14	85
3/4"	20	62.2	49	73.4	57	24.5	16	14	M6	4	41	16	96
1"	24	66.2	54	76.6	60	26.5	16	14	M6	4	46	18	113
1 1/4"	24	66.2	54	76.6	60	26.5	16	14	M6	4	50	20	121
1 1/2"	24	66.2	54	76.6	60	26.5	16	14	M6	4	55	22	124
2"	47.5	100	104	129	110	52	18.5	17	M8	5	85	24	140

ALL VALVES ONLINE

Offering a full range of actuated valve packages, manual valve range, pipe fittings and pumps, we have a product for all your requirements. As an ISO 9001-2015 Quality Approved and certified company, All Valves offer a quality service from pre-sale to post sale. Shipping millions of pounds in value of manual valve and actuated valve packages all over the world since its formation, All Valves are a trusted valve and actuator supplier to

T +44 (0)1386 552369

W www.allvalves.co.uk

E sales@allvalves.co.uk

F +44 (0)1386 554227